

# HM LINERFREE® SYSTEMS

INNOVATIVE MARKING

## *Linerless Print & Apply powered by Intermec print technology*

*The environmentally friendly labelling solution reducing CO2 emission, increasing efficiency and flexibility. It simultaneously eliminates waste and waste handling and reduces overall labelling costs by up to 30%.*



**NEW**

HM Linerfree®  
Systems powered by  
Intermec  
print technology



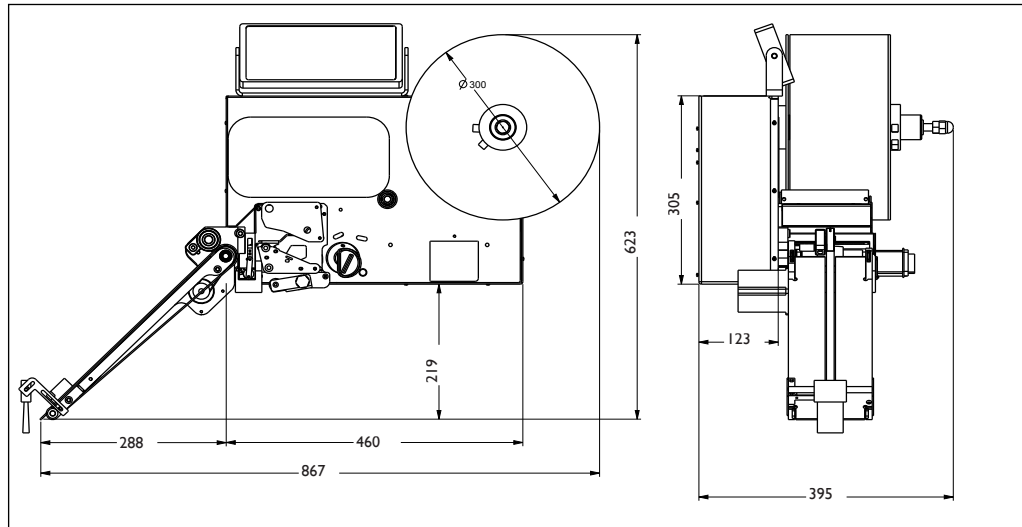
- Reduces CO2 emission and operating costs
- No backing paper - no waste - 100% use of all paper
- 60% more paper on rolls = 60% longer operating time
- Environmentally friendly as no silicone waste is created
- Up to 30% reduction of labelling costs
- Many different layouts on the same roll
- Fewer and faster change of label rolls
- Increased efficiencies due to fewer roll changes
- 50% longer life on printheads
- Reduces cost for label stock
- Flexible - can be used for top, bottom, side and wrap-around applications

**HM**  
SYSTEMS

# HM LINERFREE® SYSTEMS

## TECHNICAL SPECIFICATIONS

### HM Linerfree® Print & Apply powered by Intermec



#### HM LINERFREE® PRINTER, 203 DPI

Resolution .....	203 dpi / 8 dot pr. mm
Print speed .....	51 - 304 mm/sek.
Feed rate .....	51 - 304 mm/sek.
Print width .....	112 mm
Label width .....	50 - 100 mm
Print length .....	6 - 150/350 mm
Label length .....	50 - 50-150/350 mm

#### HM LINERFREE® PRINTER, 300 DPI

Resolution .....	300 dpi / 12 dot pr. mm
Print speed .....	50 - 254 mm/sek.
Feed rate .....	50 - 254 mm/sek.
Print width .....	112 mm
Label width .....	50 - 110 mm
Print length .....	6 - 150/350 mm
Label length .....	50 - 50-150/350 mm

#### HM LINERFREE® APPLICATORS:

Dispenser module .....	150 mm/350 mm
Pneumatic applicator	
- stroke length .....	200 mm
Hand mounting unit	

#### STRUCTURE

Print technology .....	Direct thermal transfer
Forward stroke motor .....	Stepper motor
Right/left usage .....	Both
Run-out alarm .....	Label-run out alarm

#### OPERATION

Display .....	LCD display with back light
Keyboard .....	Function keys
Language .....	GB, D, NL, F, I, DK

#### INTERNAL CONTROL

Control .....	Microprocessor
Serial .....	4 x RS 232, 1 x RS 422, 1 x RJ 785

#### MACHINE SPECIFICATIONS

Material .....	Anodized aluminium and stainless steel
IP-fatigue limit .....	Dispenser IP 32
Dimensions (HxWxD) .....	623 x 395 x 867mm
Weight (approx.) .....	15 kg,
Voltage/output .....	230 V / 200 W
Certifications .....	CE
Warranty .....	One year at eight hours operation per day five days a week

#### OPTIONS

Ethernet .....	10/100 mb network card
MCL .....	Printer as independent communicating unit
Software option .....	Code soft

#### HM LINERFREE® PAPER

Standard width (Stock) .....	50 70, 100 mm
Standard colour (Stock) .....	White
Special colour/Logo .....	Please contact us for further info

Produced under strict quality control, HM Linerfree® thermal paper is coated on both sides, and the adhesive and silicone are developed to achieve a self-cleansing effect. These facts combined ensure that HM Linerfree® paper offers the highest possible level of print quality and dependability

ALL IPR RESERVED BY HM SYSTEMS

**HM**  
SYSTEMS